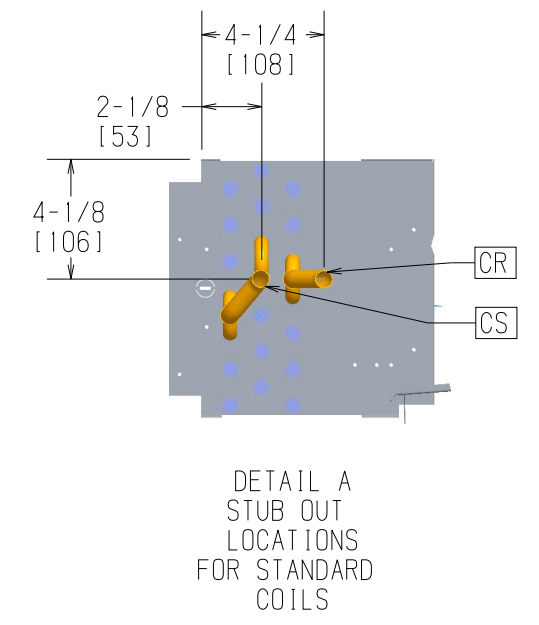
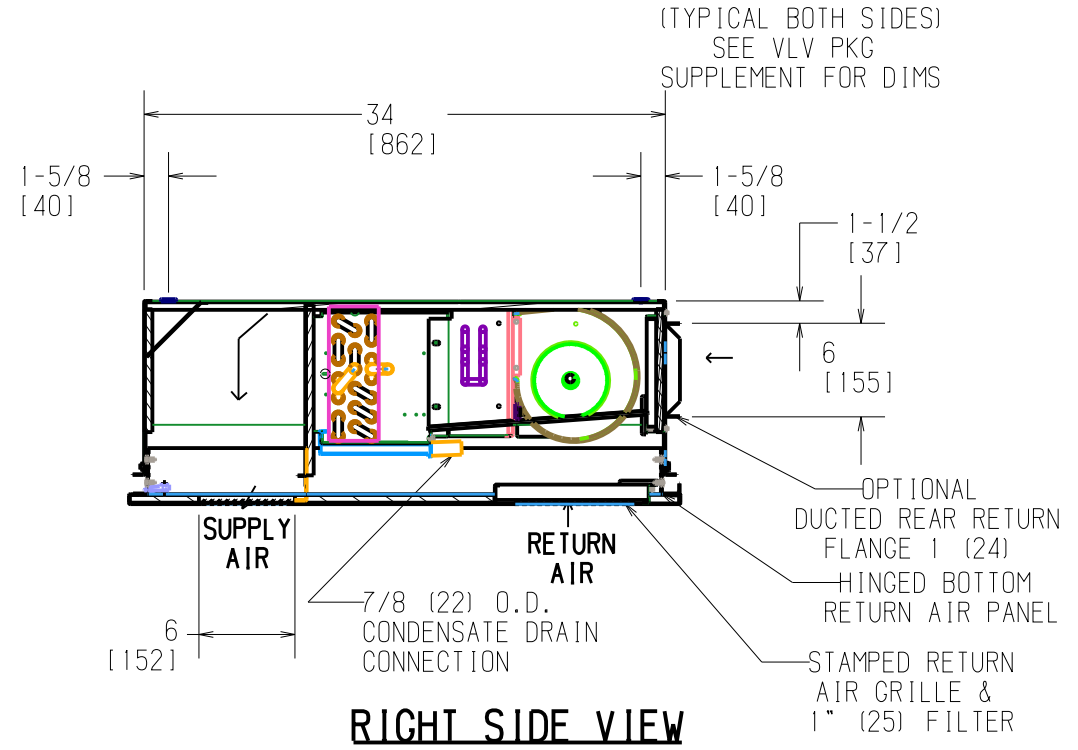
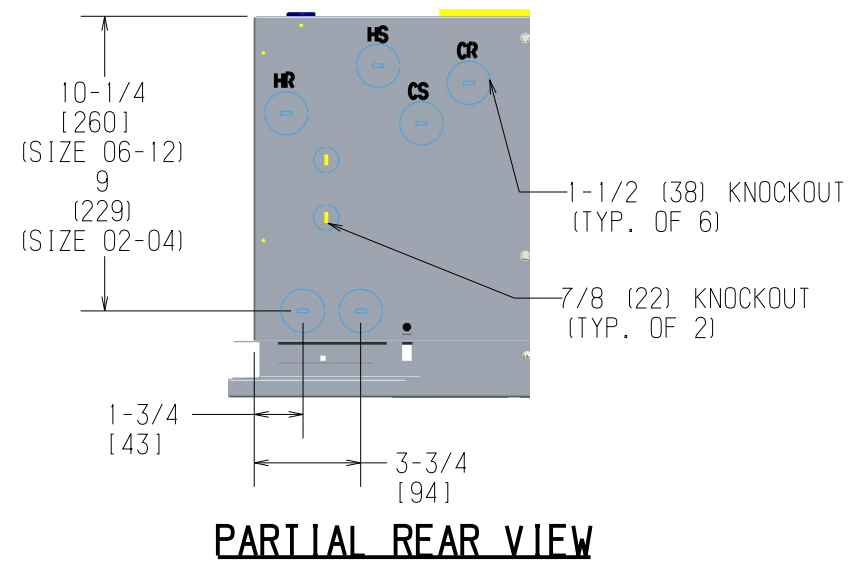
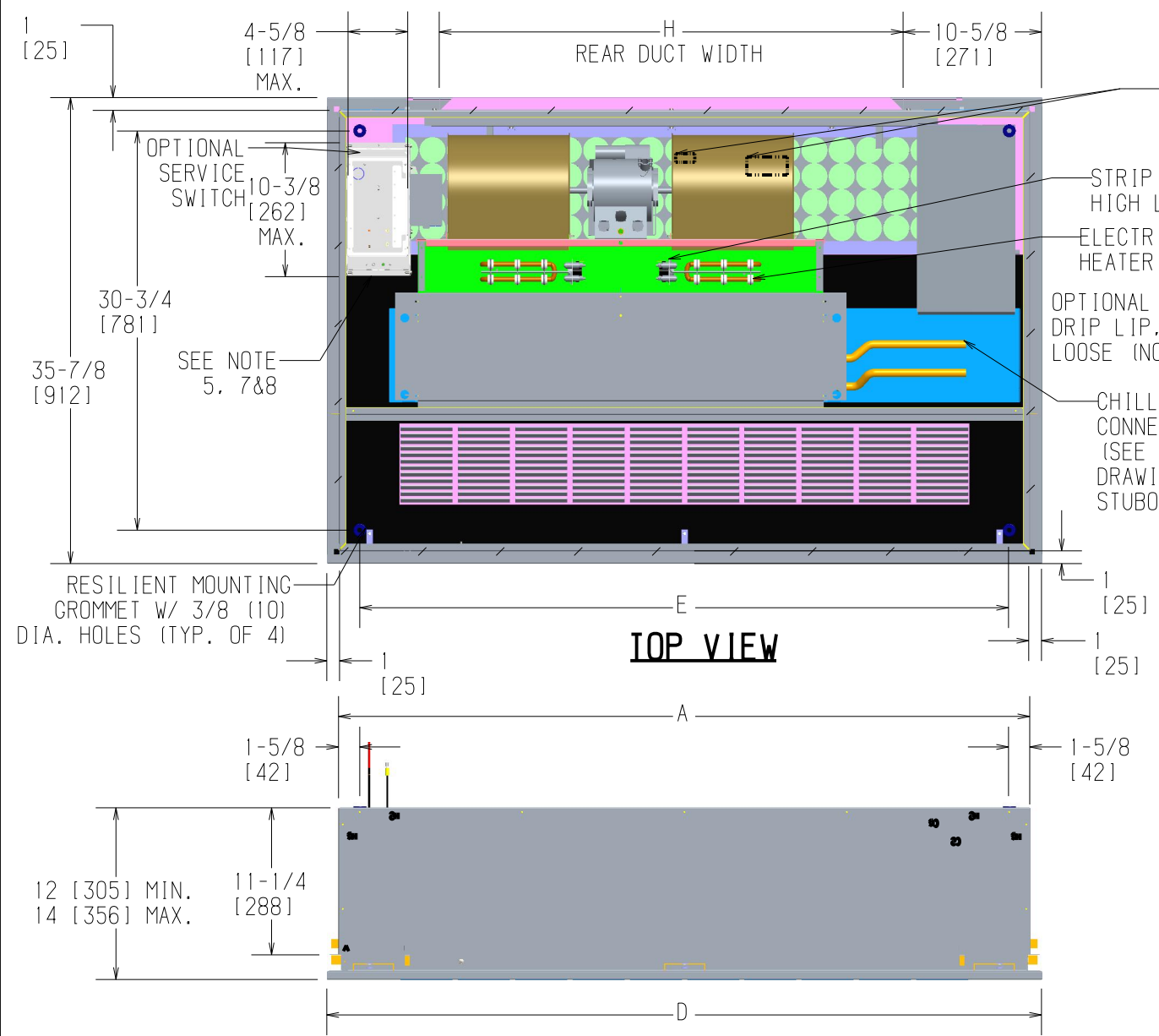


REVISION HISTORY		
REV	DATE	ECN
-	05/01/18	18-0608
A	07/07/20	20-0643
B	03/11/21	21-0295



- NOTES:**
1. RH SHOWN, LH OPPOSITE.
 2. ALL DIMENSIONS ARE +/- .25 (6). DRAWING NOT TO SCALE.
 3. PRODUCT SPECIFICATIONS ARE SUBJECT TO CHANGE WITHOUT NOTICE.
 4. DRIP LIP RECOMMENDED, PROVIDED WHEN VALVE PKG IS ORDERED.
 5. CONTROL BOX SIZE AND POSITION MAY VARY (CONSULT FACTORY)
 6. POSITION MAY VARY.
 7. SERVICE ACCESS IS LOCATED ON THE FRONT OF THE CONTROL BOX.
 8. KNOCKOUTS ON THE BOTTOM AND SIDE OF THE CONTROL BOX FOR INCOMING POWER CONNECTIONS
 9. TYPICAL SIZE 06 UNIT SHOWN WITH 1-MOTOR AND 2-BLWR - REFER TO TABLE FOR VARIATION.
 10. SEE VALVE PACKAGE SUPPLEMENTAL FOR PIPING TERMINATION.
 11. FIELD CONNECTION PIPES WILL BE SHIPPED LOOSE WITH VALVE PACKAGES.

Unit Model	Dimensions - Inches (Millimeters)				Quantity/Unit	
	A	D	E	H	BLWR	MOTOR
CBY 02	35 (889)	37 (940)	32 (813)	18-3/4 (476)	1	1
CBY 03	35 (889)	37 (940)	32 (813)	18-3/4 (476)	1	1
CBY 04	41 (1041)	43 (1092)	32 (813)	24-3/4 (629)	2	1
CBY 06	53 (1346)	55 (1397)	50 (1270)	35-3/4 (908)	2	1
CBY 08	53 (1346)	55 (1397)	50 (1270)	35-3/4 (908)	2	1
CBY 10	75 (1905)	77 (1956)	72 (1829)	49-3/4 (1264)	4	2
CBY 12	75 (1905)	77 (1956)	72 (1829)	49-3/4 (1264)	4	2

IEC
International Environmental

TITLE: CBY HORIZONTAL TELESCOPING HIDEAWAY W/ELEC HEAT
BOTTOM SUPPLY

DWG NO: **1100-90041396**

REV: **B**

DRAWN: K.LIETZ DATE: 03/20/12 APPROVED: S.STOTTS DATE: 03/20/12